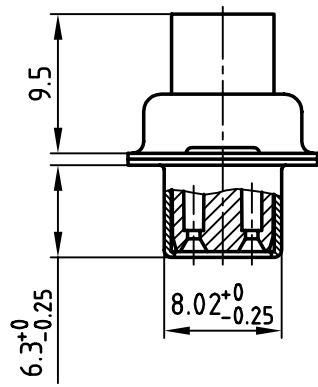
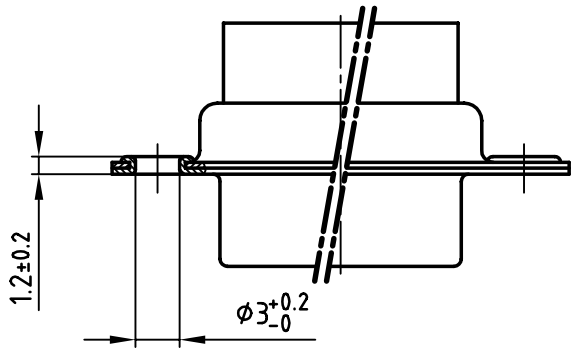
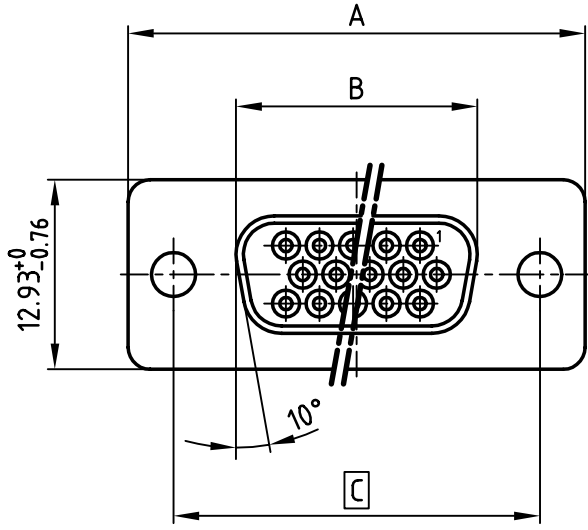


used for: D-SUB HD



Directive 2002/95/EC  
"RoHS"  
Compliant

POS.	A -0.76	B -0.25	C	Part-NO.
15	31.19	16.46	25.00 <sup>+0.12</sup> / <sub>-0.13</sub>	164X11949X
26	39.52	24.79	33.30 <sup>+0.15</sup> / <sub>-0.1</sub>	164X11959X
44	53.42	38.50	47.04 ±0.13	164X11969X
62	69.70	54.96	63.50 ±0.13	164X11979X

**NOTES:**

1. METALSHELLS: STEEL; min. 320µ" TIN
2. INSULATORS: PBT GF UL 94 V-0, BLACK
3.  = CRITICAL DIMENSION: SPC

THIS DRAWING MAY NOT BE COPIED OR REPRODUCED IN ANY WAY, AND MAY NOT BE PASSED ON TO A THIRD PARTY WITHOUT WRITTEN PERMISSION. OWNERSHIP AND COPYRIGHT OF CONEC GmbH DO NOT ALTER CAD DRAWING BY HAND

			tolerance		scale: 2:1
					material: SEE NOTES
			2001	date	name
			drawn	12.03.	Parei
			appd.	12.03.	E. Mickenbecker
			norm		
			d-old		
			<b>CONEC</b> <sup>®</sup>		
rev.	description	date	name		

title:		<b>D-SUB HD FEMALE</b> CRIMP-VERSION 15-62pos.	
dwg no:	AutoCAD 2000	DIN-A	
<b>16K1A155A</b>		4	
part no:		<b>SEE TABLE</b>	
		sh: 1/1	

4

3

2

1