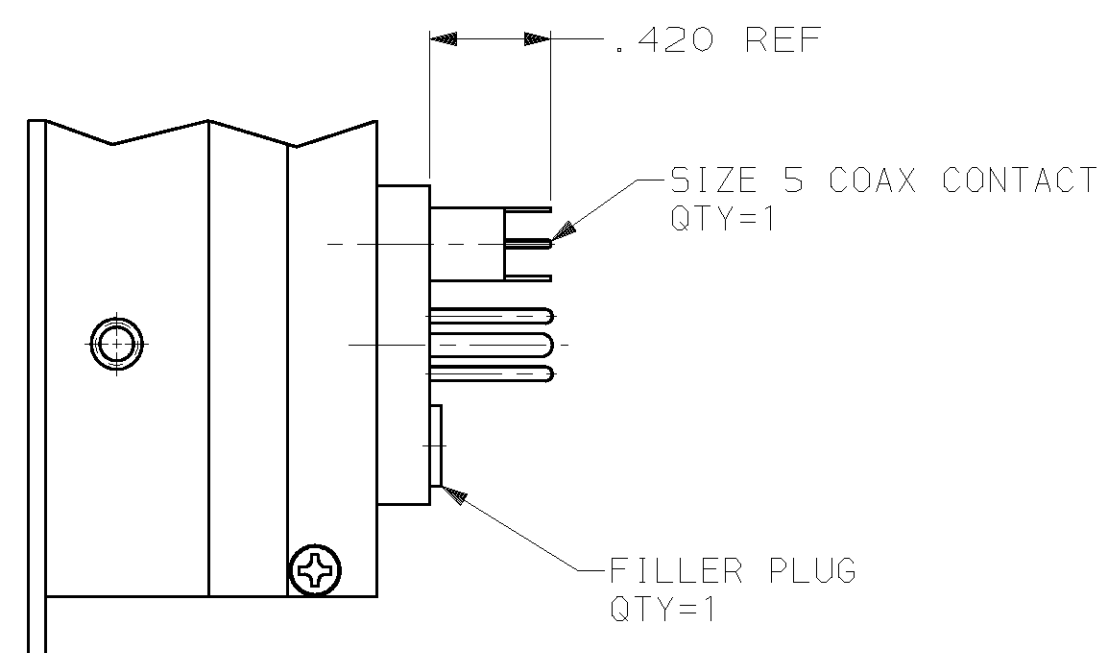
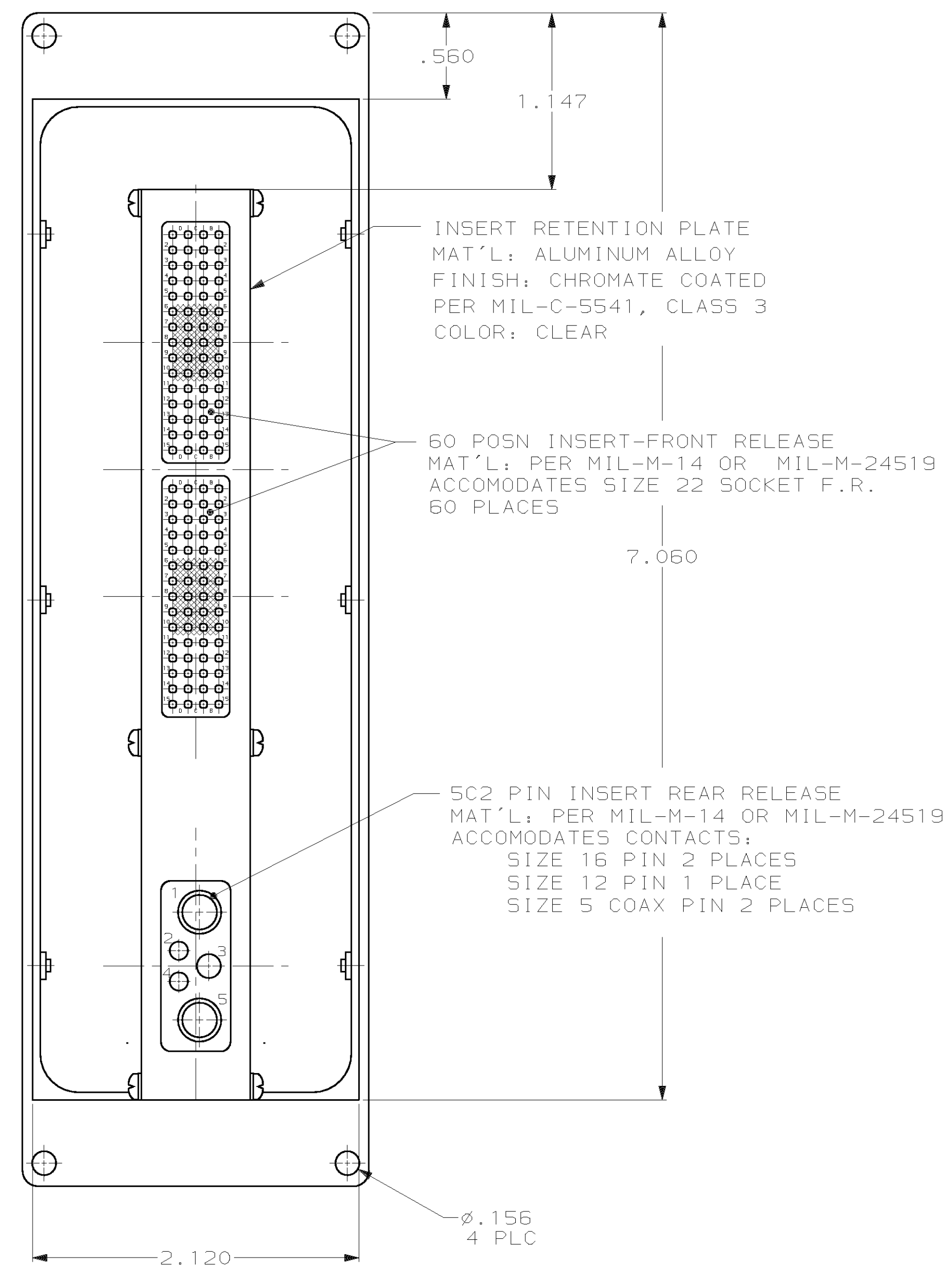
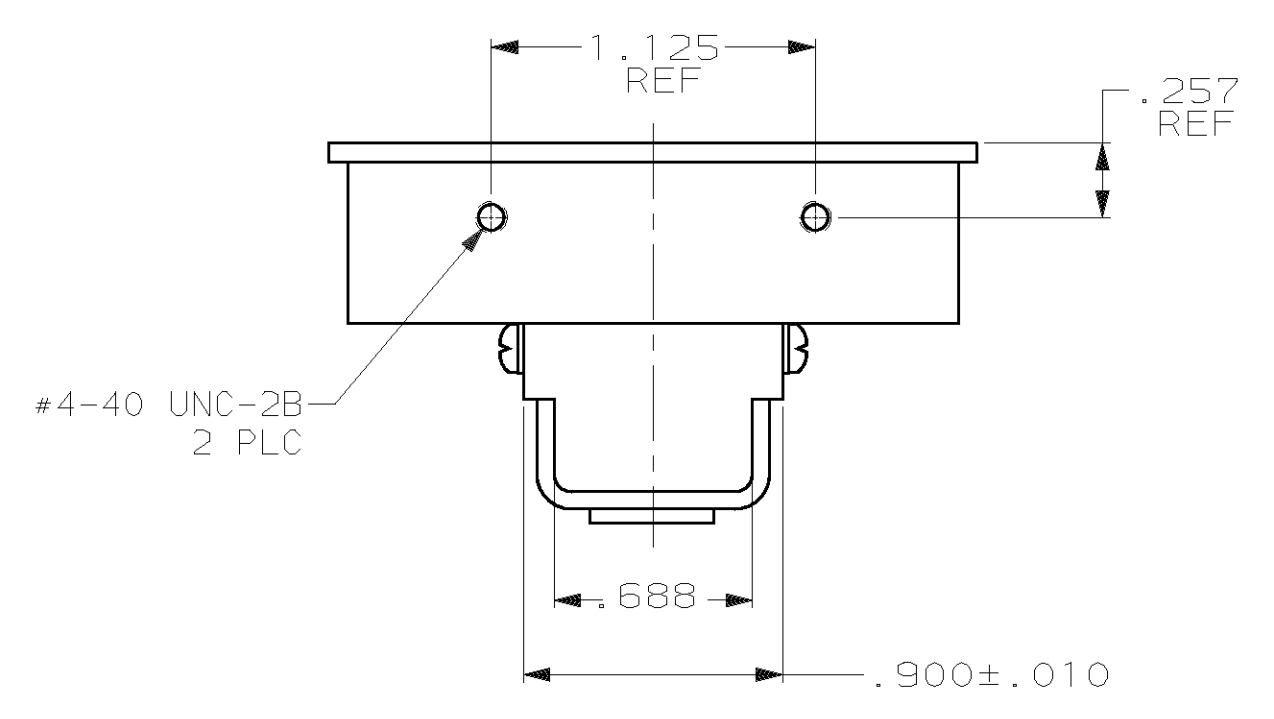
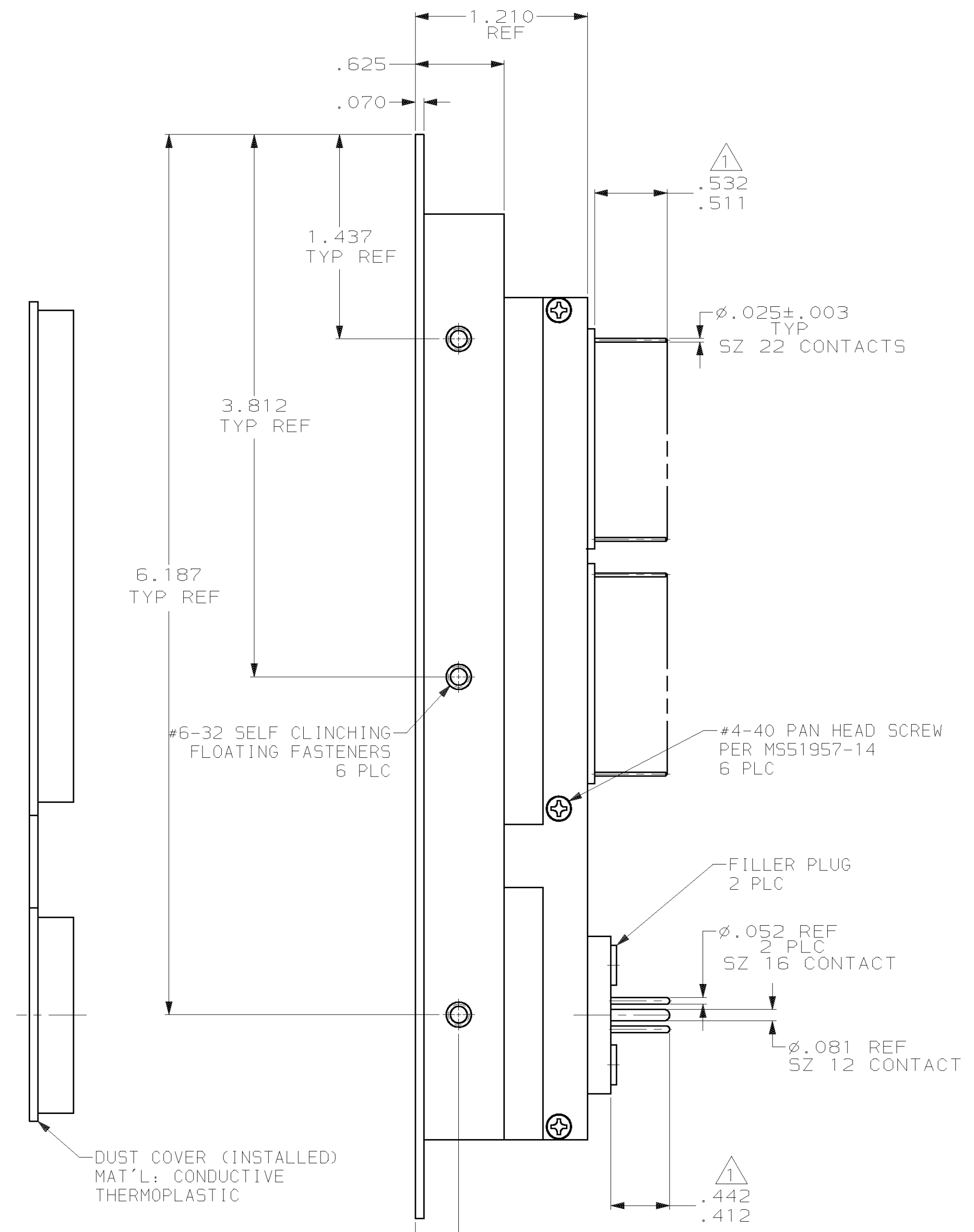
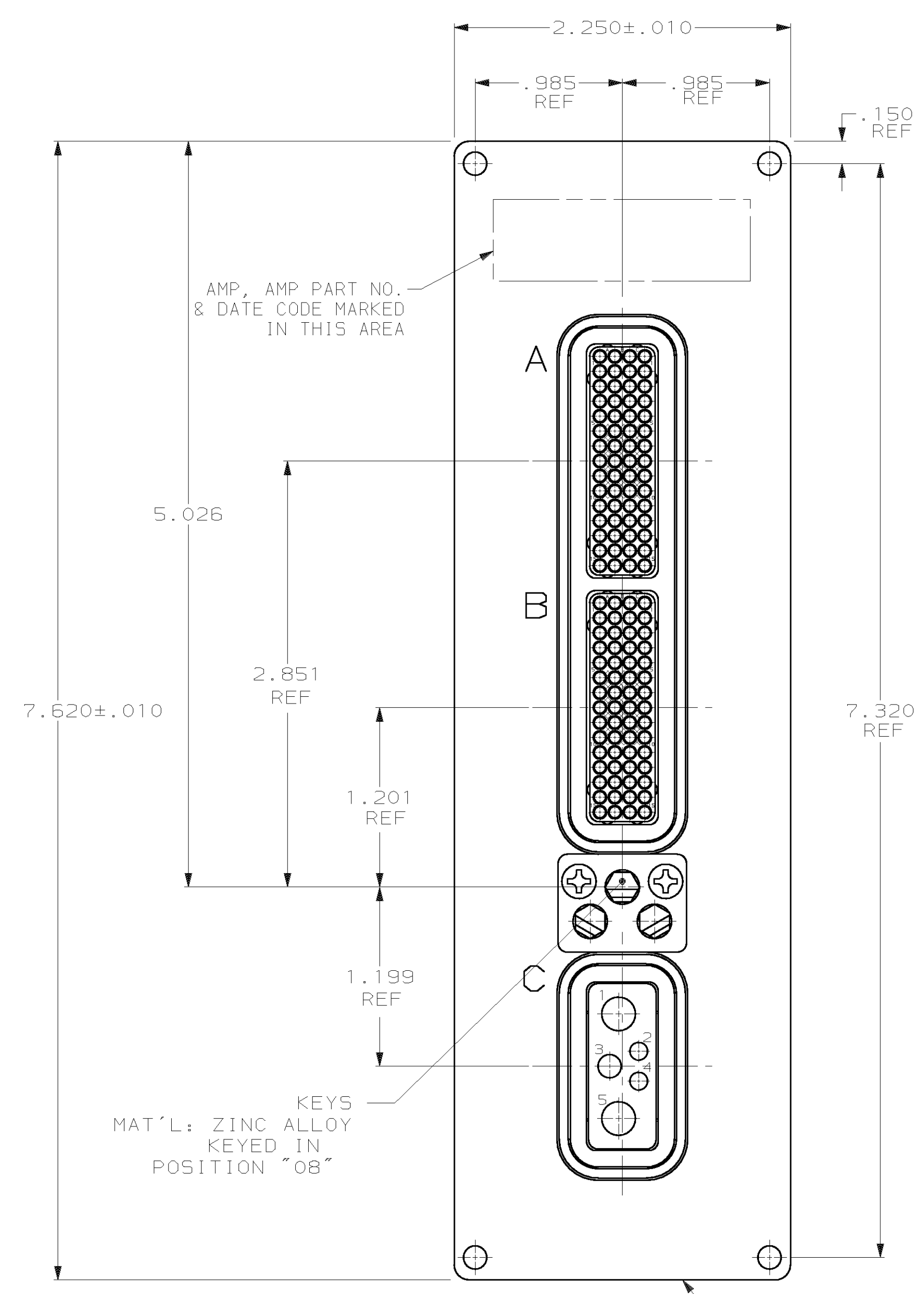
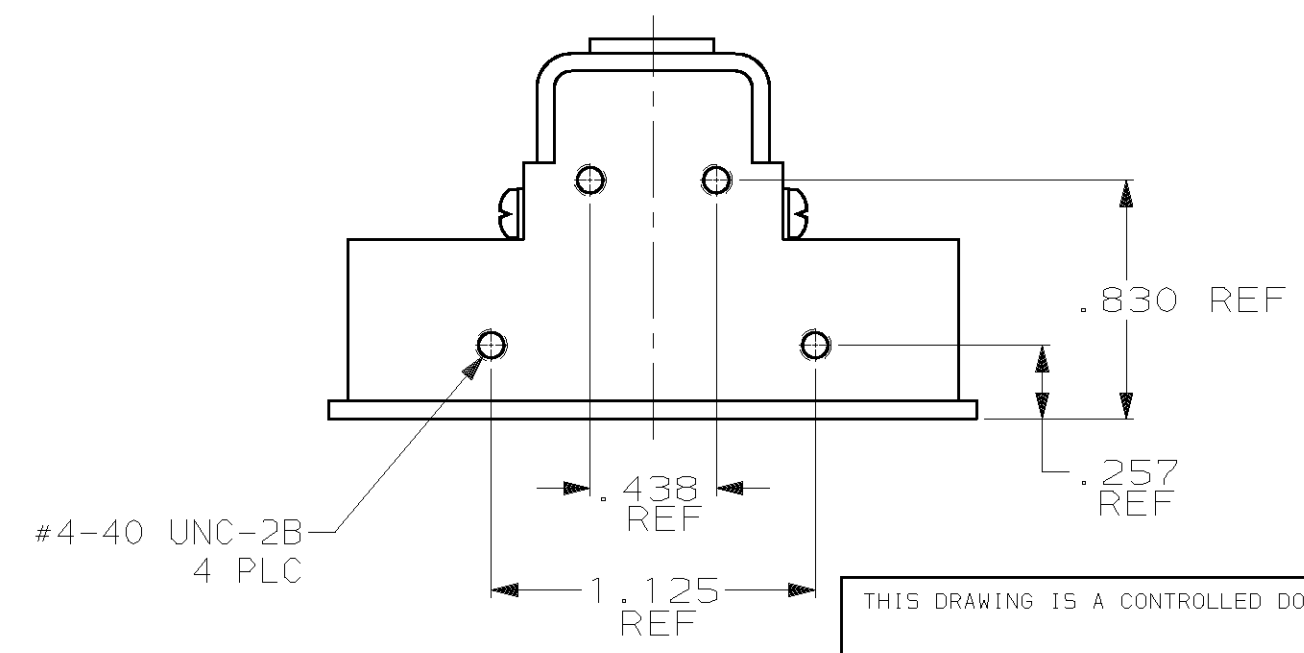


LOC	DIST	REV	DESCRIPTION	DATE	OWN	APPRO
DF	AO	B	REV PER 0630-0569-02	1-03	CT	SG



DETAIL C
 1484876-2 ONLY
 SAME AS -1 EXCEPT
 ONE (1) SIZE 5 CONTACT
 AS SHOWN

- WITH CONTACTS FULLY SEATED TO REAR OF CAVITY.
- CONTACT PART NUMBERS LOADED IN CONNECTOR:
 (ALL SOLDER POSTS ARE SOLDER COATED)
 SIZE 22 SOCKET CONTACT (120) AMP P/N 1-211431-6
 SIZE 16 PIN CONTACT (2) AMP P/N 1663128-3
 SIZE 12 PIN CONTACT (1) AMP P/N 1663129-3
 SIZE 5 PIN CONTACT (1) AMP P/N 1663130-2 (1484876-2 ONLY)
 SIZE 5 FILLER PLUG (2 ON -1/1 ON -2) AMP P/N 1663132-1



SEE DETAIL C	1484876-2
AS SHOWN	1484876-1
REMARKS	PART NUMBER

THIS DRAWING IS A CONTROLLED DOCUMENT.		DWN	C.C. THOMAS	5-15-02	 TYCO Electronics Harrisburg, PA 17105-3608
DIMENSIONS: INCHES (mm)		CHK	S. GLATFELTER	5-15-02	
TOLERANCES UNLESS OTHERWISE SPECIFIED:		APP'D	S. GLATFELTER	5-15-02	PRODUCT SPEC
0 PLC	±			APPLICATION SPEC	SIZE
1 PLC	±			WEIGHT	CAGE CODE
2 PLC	±			CUSTOMER DRAWING	DRAWING NO
3 PLC	±			SCALE	SHEET
4 PLC	±			RESTRICTED TO	REV
ANGLES	±				
MATERIAL		SEE CALLOUTS		A1 00779 1484876	