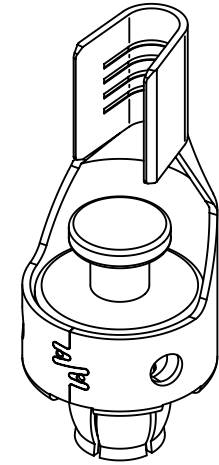
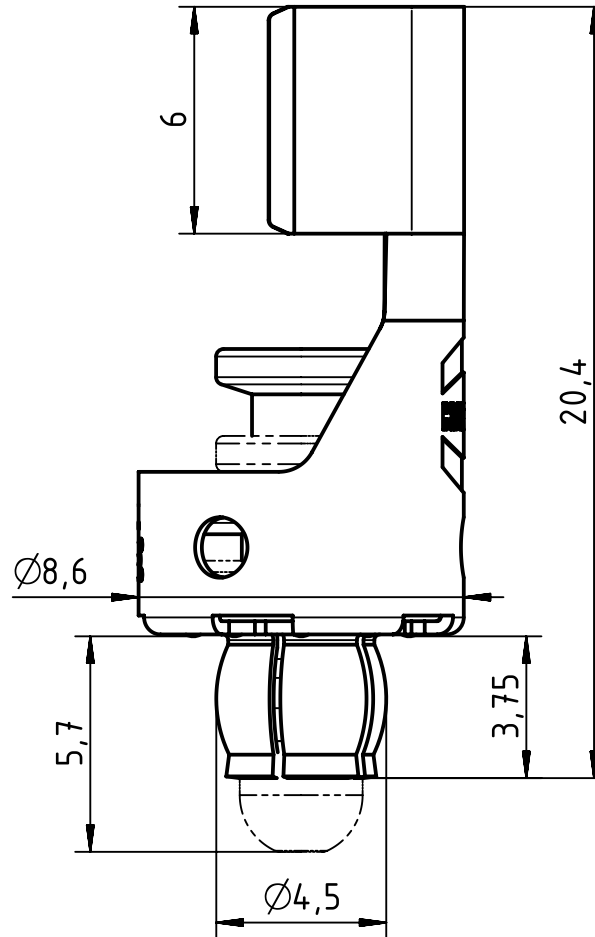
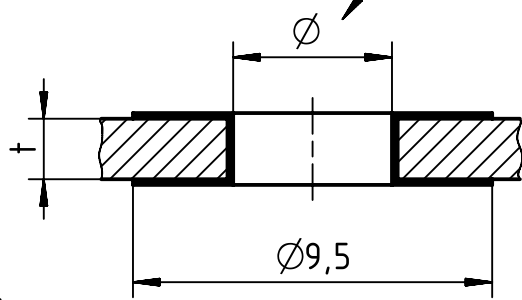



t	∅
1,6	4,4 $+0,05$ $-0,04$
2	4,4 $+0,05$ $-0,04$

PCB lay-out

finished hole



	All rights reserved Department EL PD - DE	All Dimensions in mm Original Size DIN A4		Scale 5:1	Free size tol.		Ref.	
		HARTING Electric GmbH & Co. KG D-32339 Espelkamp	Created by RULLKOETTER	Inspected by SCHNIEDER	Standardisation TIEMANNA	Date 2014-01-14	State Final Release	Doc-Key / ECM-Nr. 100221827/UGD/002/B 500000070361
Title Han-Fast Lock 4-6mm² w.Pin, Ag							Rev. B	Page 1/1
Type TB				Number 09 08 000 7123				