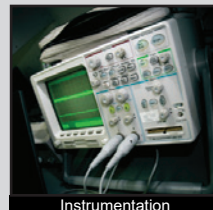
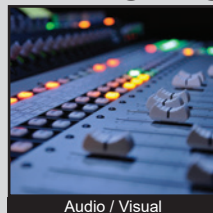


# RP8300 SERIES PUSHBUTTON SWITCH

ANTI-VANDAL SWITCHES  
 DETECTOR SWITCHES  
 DIP SWITCHES  
 KEYLOCK SWITCHES  
 NAVIGATION SWITCHES  
**PUSHBUTTON SWITCHES**  
 ROCKER SWITCHES  
 ROTARY SWITCHES  
 SLIDE SWITCHES  
 SNAP ACTION SWITCHES  
 TACTILE SWITCHES  
 TOGGLE SWITCHES  
 CAP OPTIONS



## APPLICATIONS / MARKETS



**RoHS**

## SPECIFICATIONS

**Electrical Rating:**  
 500mA @ 48 VAC, 200mA @ 50 VDC, 200mA @ 250 VAC  
**Life Expectancy:** 500,000 Cycles  
**Contact Resistance:** 50mΩ Max.  
**Insulation Resistance:** 1,000MΩ Min. @ 500VDC  
**Dielectric Strength:** 1,500VAC for 1 minute  
**Operating Temperature:** -30°C to 85°C  
**Travel:** 1.5mm  
**Contact Arrangement:** SPST, Off-(On), Momentary  
**Actuation Force:** 350 gf  
**Panel Thickness:** 1.5mm - 4.0mm  
**Ingress Protection:** IP67

## FEATURES & BENEFITS

- Threaded mount
- 500,000 life expectancy
- LED illumination options
- Sealed to IP67 ratings
- Metal Diecast housing

## PART NUMBER CONFIGURATOR

Series	Bushing	Termination	Contact Material	Seal	Housing Color	Cap Color	LED Color
<input type="text" value="RP8300"/> <input type="text" value="RP8301*"/>	<input type="text" value="B2 - Threaded"/> <input type="text" value="(12 x 0.75)"/>	<input type="text" value="M1 - Standard"/>	<input type="text" value="C - Gold Over Silver"/>	<input type="text" value="E - Epoxy Sealed"/>	<input type="text" value="BLK - Black*"/> <input type="text" value="NIC - Stain Nickel"/> <input type="text" value="CHR - Chrome"/>	<input type="text" value="WHT - White"/> <input type="text" value="BLK - Black"/> <input type="text" value="RED - Red"/> <input type="text" value="ORG - Orange"/> <input type="text" value="YEL - Yellow"/> <input type="text" value="GRN - Green"/> <input type="text" value="BLU - Blue"/>	<input type="text" value="WHT - White LED"/> <input type="text" value="RED - Red LED"/> <input type="text" value="YEL - Yellow LED"/> <input type="text" value="GRN - Green LED"/> <input type="text" value="BLU - Blue LED"/> <input type="text" value="GY - Green/Yellow LED"/> <input type="text" value="RG - Red/Green LED"/> <input type="text" value="RB - Red/Blue LED"/> <input type="text" value="NIL - Non Illuminated*"/>

\*The RP8201 series is only offered with a black housing color and is non-illuminated.

*Specifications subject to change without notice*



**E-SWITCH®**

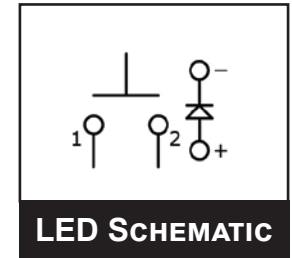
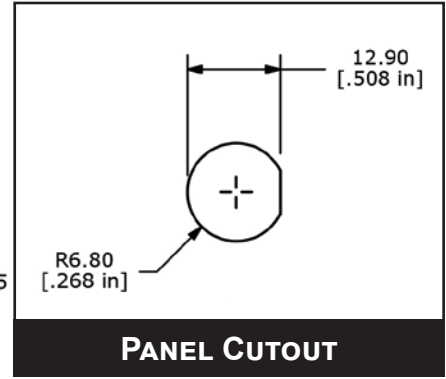
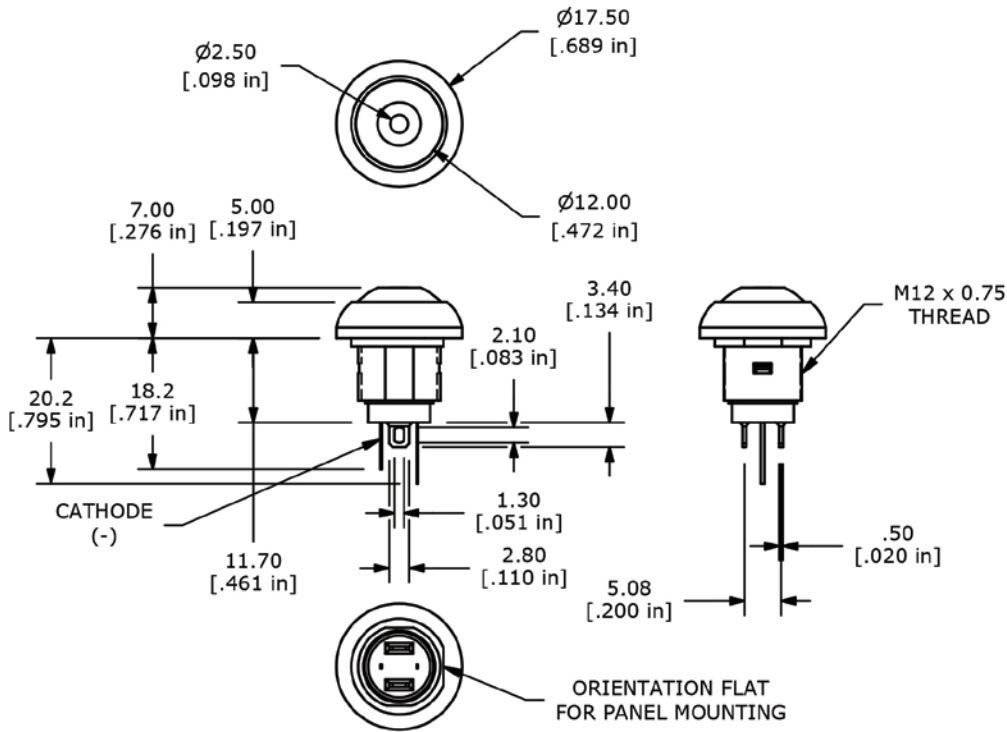
[www.e-switch.com](http://www.e-switch.com)

800.867.2717

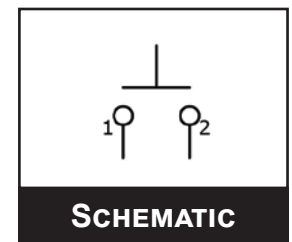
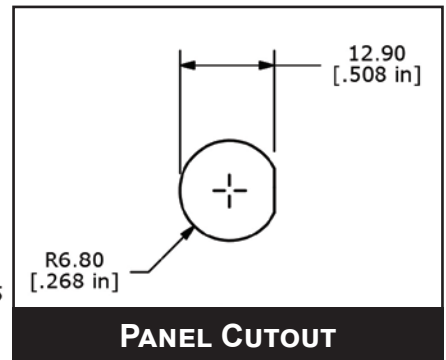
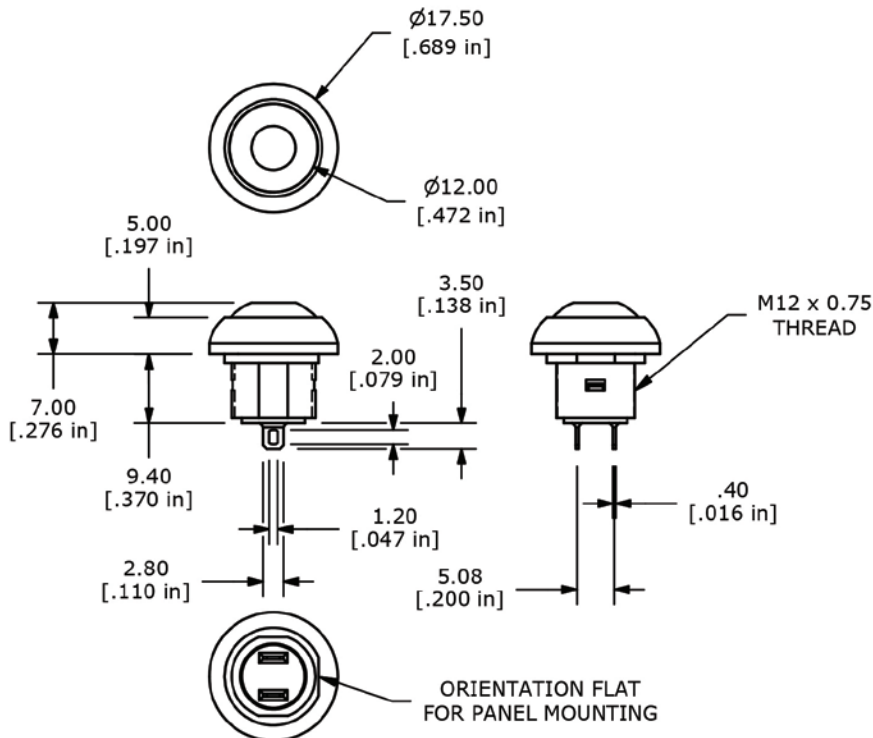
2

# RP8300 SERIES PUSHBUTTON SWITCH

## RP8300 w/ LED B2 BUSHING



## RP8300 w/o LED B2 BUSHING



ANTI-VANDAL SWITCHES  
DETECTOR SWITCHES  
DIP SWITCHES  
KEYLOCK SWITCHES  
NAVIGATION SWITCHES  
PUSHBUTTON SWITCHES  
ROCKER SWITCHES  
ROTARY SWITCHES  
SLIDE SWITCHES  
SNAP ACTION SWITCHES  
TACTILE SWITCHES  
TOGGLE SWITCHES  
CAP OPTIONS

# RP8300 SERIES PUSHBUTTON SWITCH

## RP8301 w/o LED B2 BUSHING

